

SOFT ZINC

For reliable, lead-free Connections

The formation of roof connections to chimneys, dormers and walls requires a flexible and optimally shapeable material. RHEINZINK has the lead-free solution: RHEINZINK-Soft Zinc creates aesthetically pleasing and durable connections. Available in application-oriented sizes in "smooth" and "pleated" designs. This environmentally-friendly building material is 100% recyclable.

Flexible and malleable

Easily soldered and seamed

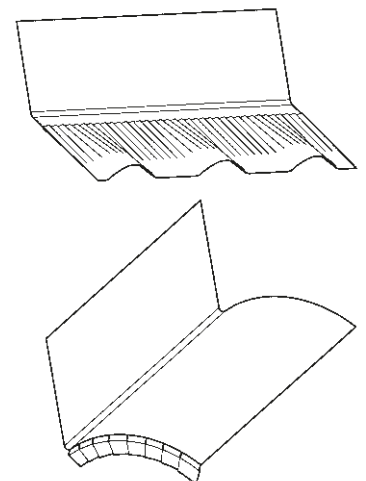
Low roll weight

Lead-free – improved working conditions

Ready to use cut lengths

Typical zinc surface

An environmentally friendly building product



Application

The execution of professional and durable roof connections with metal are safer now – Thanks to RHEINZINK-Soft Zinc. With RHEINZINK-Soft Zinc “smooth”, side flashings of roofing tiles to rising walls are realized. Adapted to the respective roofing geometry, the individual pieces cover the highest point of the tiles ensure optimum water drainage. RHEINZINK-Soft Zinc “pleated” is used for eave-side connections of roof penetrations on roofing tiles. The 100 mm pleated part of the termination profile facilitates dimensionally accurate joining work on the roof in question. Four design variations of chimney connections are outlined below.



Seaming

Seaming corner details on chimney connections is done on the eave and ridge sides using the “single seam system”. The

seam formation is completed using standard tools and is part of the day-to-day work of the sheet metal worker.

Eave-side Connection



Joining the pleating



Preparing the single seam



Completing the single seam

Ridge-side Connection



Seam preparation for side flashing



Seam preparation for back apron



Seam completion

Overlapping

Another variation to prepare rainproof ridge-side connection details of chimney flashings is the function-guaranteed design of overlapping zinc panels. To that end, generous side flashings are cut,

folded down and fit to the geometry of the back apron. The benefit: driving water doesn't get into the construction. The back apron also runs generously over the side flashing to the highest point of the adja-

cent tile. The result is a rainproof detail formation without seaming, welding or adhesion.

Ridge-side Connection



Preparing the flashing



Attach back apron



Ridge-side connection, overlapped

Soldering

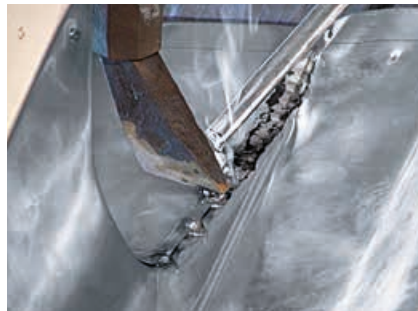
One of the benefits of RHEINZINK-Soft Zinc is the firmly bonded and waterproof connection created by soft soldering. A property which applies equally to all

RHEINZINK-qualities. The overlap of carefully fitted side flashings to the back apron and front flashing is between 10 and 15 mm. Please see www.rheinzink.com

for detailed information regarding soft soldering.



Eave-side soldering



Ridge-side soldering



Completed soldered seam

Adhesive Connections

The security of adhesive connections depends on the diligence with which they have been carried out. The overlap of corner points to be glued, between the side flashings, back apron and front flashing, should be ca. 15 mm. With the aid of a hammer handle and significant pres-

sure, the adhesive is grouted between the zinc overlaps. Back apron and front flashing are slightly flanged, resulting in a sealed connection to the side flashings. Suitable double-sided adhesive butyl- and adhesive strips are used; ideally, these are matched to the colour of the soft

zinc. If the adhesive connection has been carried out properly, the adhesive strip will partly gush out of the sides of the overlap area.



Using an adhesive strip



Preparing the adhesive connection



Grouting the back apron/side flashing

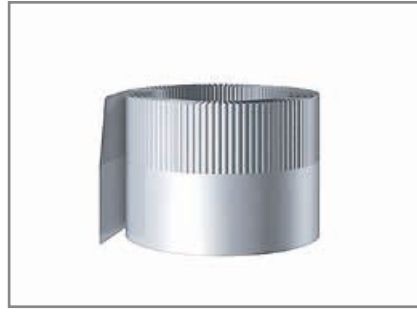


Fig. left:
RHEINZINK-Soft Zinc, "smooth"

Fig. right:
RHEINZINK-Soft Zinc, "pleated"

Sophisticated Connections – lead-free Solutions

The flexible ductility of RHEINZINK-Soft Zinc renders possible visually sophisticated terminations and expert detail solutions from the roof to the wall cladding. The typical zinc surface allows this innovative material to blend into the architectural design harmoniously. As a result of its ductility, light weight – material thickness is 0.6 mm (according to DIN EN 501) – and strong resistance to wind suction, RHEINZINK-Soft Zinc is the modern alternative to conventional materials.

Durable, economical and ecological

The positive material properties and high corrosion resistance provided by a naturally forming patina ensure that RHEINZINK-Soft Zinc retains its beneficial properties for a very long period of time without any maintenance or cleaning. Furthermore, based on its exemplary ecological balance, the material, which was declared an environmentally compatible building product by the independent Board of the German Institute Construction and Environment (Institut Bauen und Umwelt e.V.), RHEINZINK is recommended as a contemporary, aesthetically sophisticated material for responsible, conscientious building.

Zinc the Material – natural Element

Zinc is one of the 10 most frequently occurring elements in the earth crust. It is the second most important trace element after iron and plays an important role in numerous physiological and biochemical functions. Zinc activates hormones, stabilises the cell membrane, influences growth and is important for the nervous system, the eyes, the skin, wound healing and the immune system. Its processing is not harmful to health.

RHEINZINK-Soft Zinc, half the Weight – larger Quantity.

Designation	Nominal size	Length of roll	Weight/roll	Weight/m	Item number
RHEINZINK-Soft Zinc, "smooth"	450	ca. 12 m	ca. 24 kg	ca. 1.9 kg	5144000
	333	ca. 15 m	ca. 22 kg	ca. 1.4 kg	5144001
	250	ca. 20 m	ca. 22 kg	ca. 1.1 kg	5144008
RHEINZINK-Soft Zinc, "pleated"	333	ca. 15 m	ca. 22 kg	ca. 1.4 kg	5145904
	250	ca. 20 m	ca. 22 kg	ca. 1.1 kg	5144005
	167	ca. 20 m	ca. 14 kg	ca. 0.7 kg	5145913
Comparison					
Lead 1.25 mm, "smooth"	333	ca. 5.1 m	ca. 25 kg	ca. 4.9 kg	–